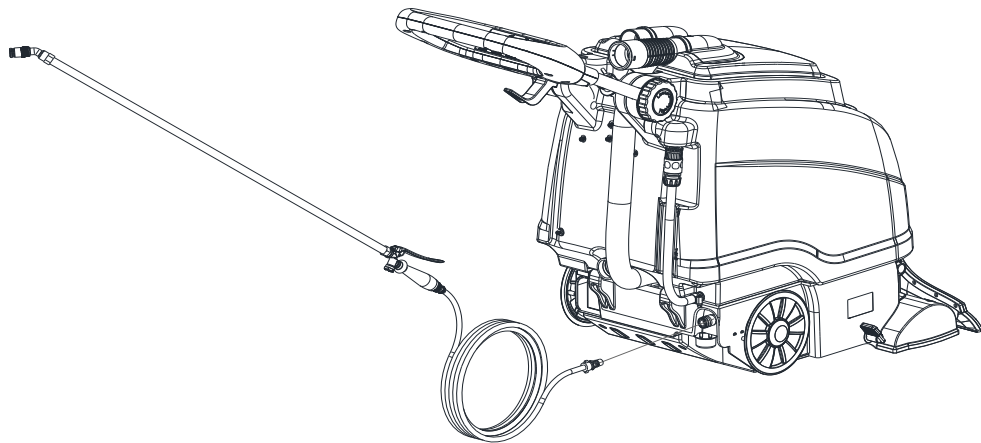
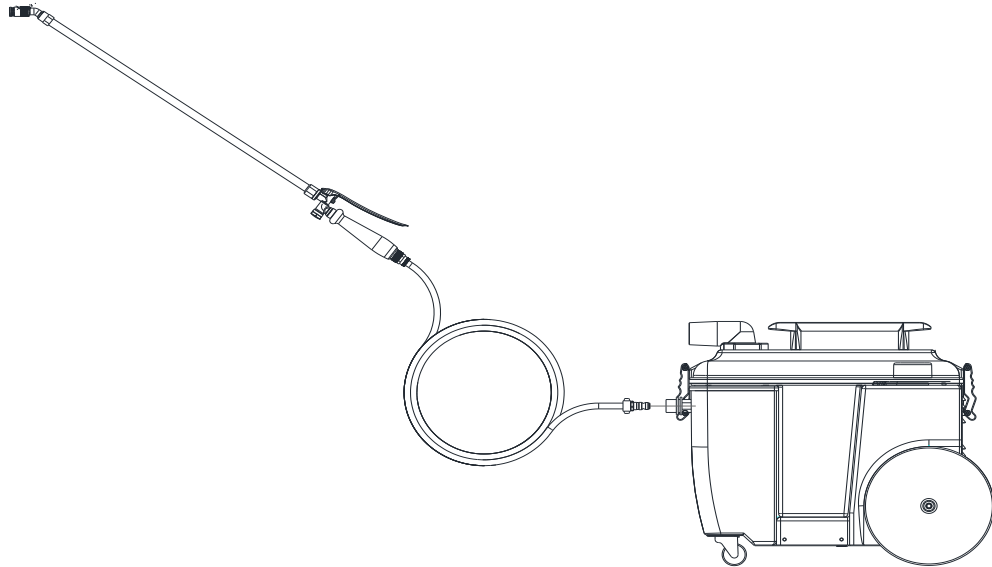


VV78350 SINGLE SPRAYER KIT

QUICK START GUIDE (FOR CEX410 & WOLF130)



PARTS DESCRIPTION AND PART NUMBER (as shown in Figure 1)

1. Adjustable atomizing elbow conical nozzle, 1.5mm hole. (P/N: VV78351)
2. 20Inch (0.5m) wand assembly, SUS316. (P/N: VV78352)
3. Trigger assembly. (P/N: VV78353)
4. 16 Foot (5m) high pressure hose assembly. (P/N: VV78354)
5. Quick male connector for CEX410. (P/N: VV78325)
6. Quick male connector for Wolf130. (P/N: VV78326)

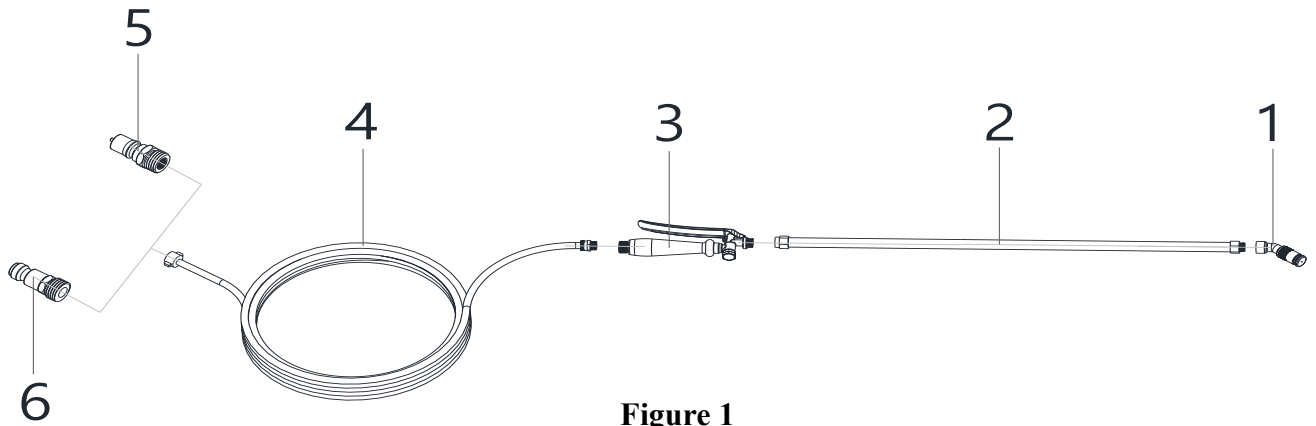


Figure 1

TECHNICAL PARAMETERS

Parameter Type	Units	Model	
		WOLF130	CEX410
Water Flow	Gallons/min (L/min)	0.13 gal (0.5 L)	0.23 gal (0.885 L)
Working pressure	PSI	40	108
Single package weight	Lbs. (Kg)	3.5 lbs (1.6 Kg)	3.5 lbs (1.6 Kg)
Single packing dimensions	Inches (mm)	25.6 x 3.15 x 3.15 (650 x 80 x 80)	25.6 x 3.15 x 3.15 (650 x 80 x 80)
Shipping packing dimensions (L x W x H)	Inches (mm)	26.5 x 7.9 x 18.9 (675 x 200 x 480)	26.5 x 7.9 x 18.9 (675 x 200 x 480)
Shipping Weight	Lbs. (Kg)	35 lbs (16 Kg)	35 lbs (16 Kg)

SPRAYER INSTALLATION (as shown in Figure 2)



NOTE

To prevent water leakage at the connections, it is recommended that you wrap the outer threads with the supplied sealing tape.

1. Screw the external thread end of the hose assembly to the handle end of the trigger assembly. Tighten firmly.
2. Screw the internal thread end of the wand assembly to the other end of the trigger assembly. Tighten firmly.
3. Screw the spray nozzle to the external thread end of the wand assembly. Tighten firmly.
4. Screw the appropriate male quick connector to the internal thread end of the hose assembly. Tighten firmly.
5. Connect the male quick connector to the female quick connector on the machine to be used.

SPRAYER USE

1. When spraying disinfectant, follow the mixing and safety instructions of the disinfectant carefully.



CAUTION!

Wear the appropriate personal protective equipment as described by the disinfectant manufacturer and follow all safety guidelines recommended.

2. Fill the solution tank of the machine with the mixed disinfectant.
3. Turn on the machine power, and turn on the pump (CEX410 only).
4. Depress the trigger on the sprayer and begin applying the spray.

SPRAYER MAINTENANCE

1. After the spraying task is completed for the day, empty the solution tank of the machine. Re-fill the solution tank $\frac{1}{2}$ full of clean water. Use the sprayer to spray water into a sink or container to clean out the machine pump.



NOTE

The chemicals in disinfectants can damage the seals in the pump if not cleaned out daily.

2. Turn off the machine power and remove the sprayer attachment. Rinse of the sprayer assembly completely.

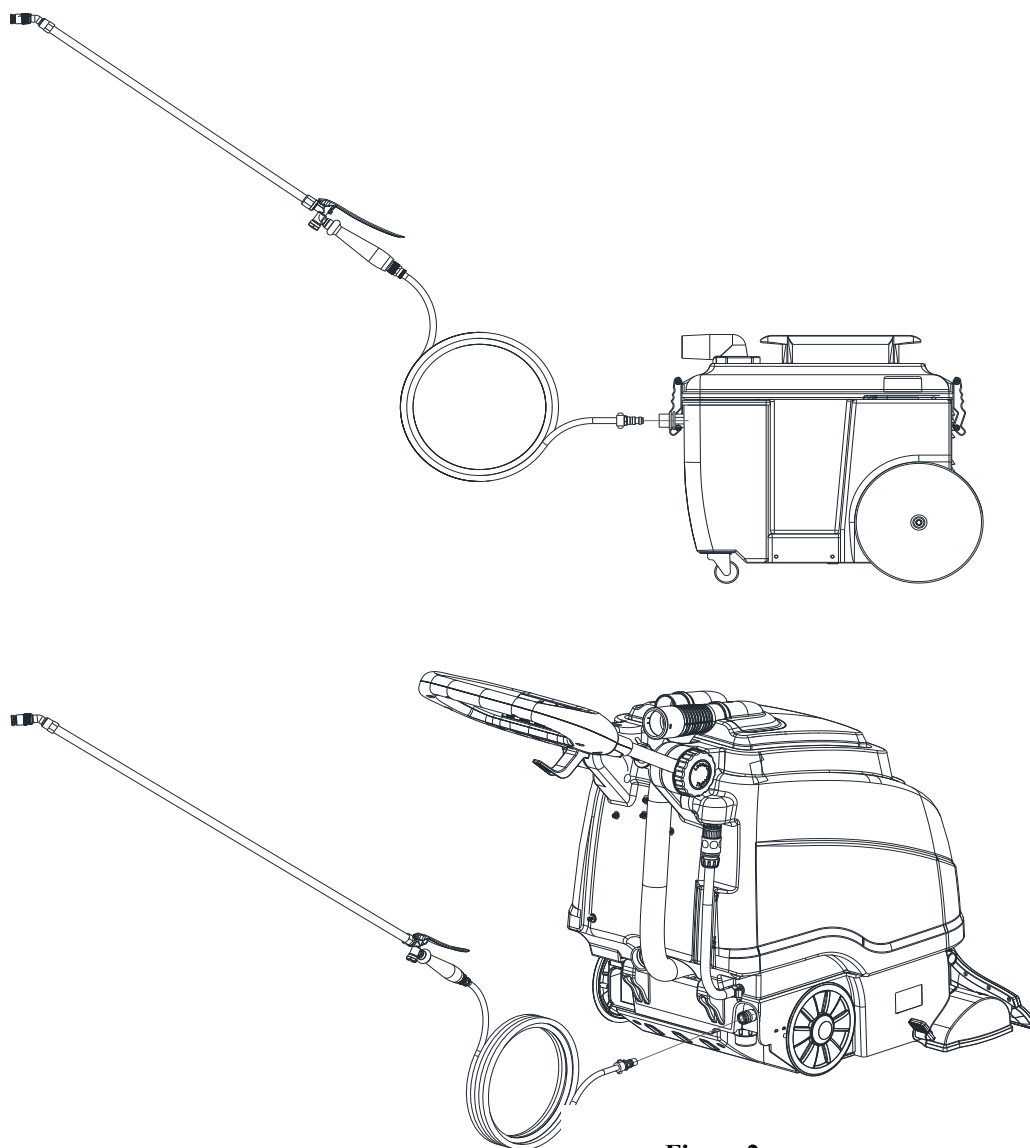


Figure 2